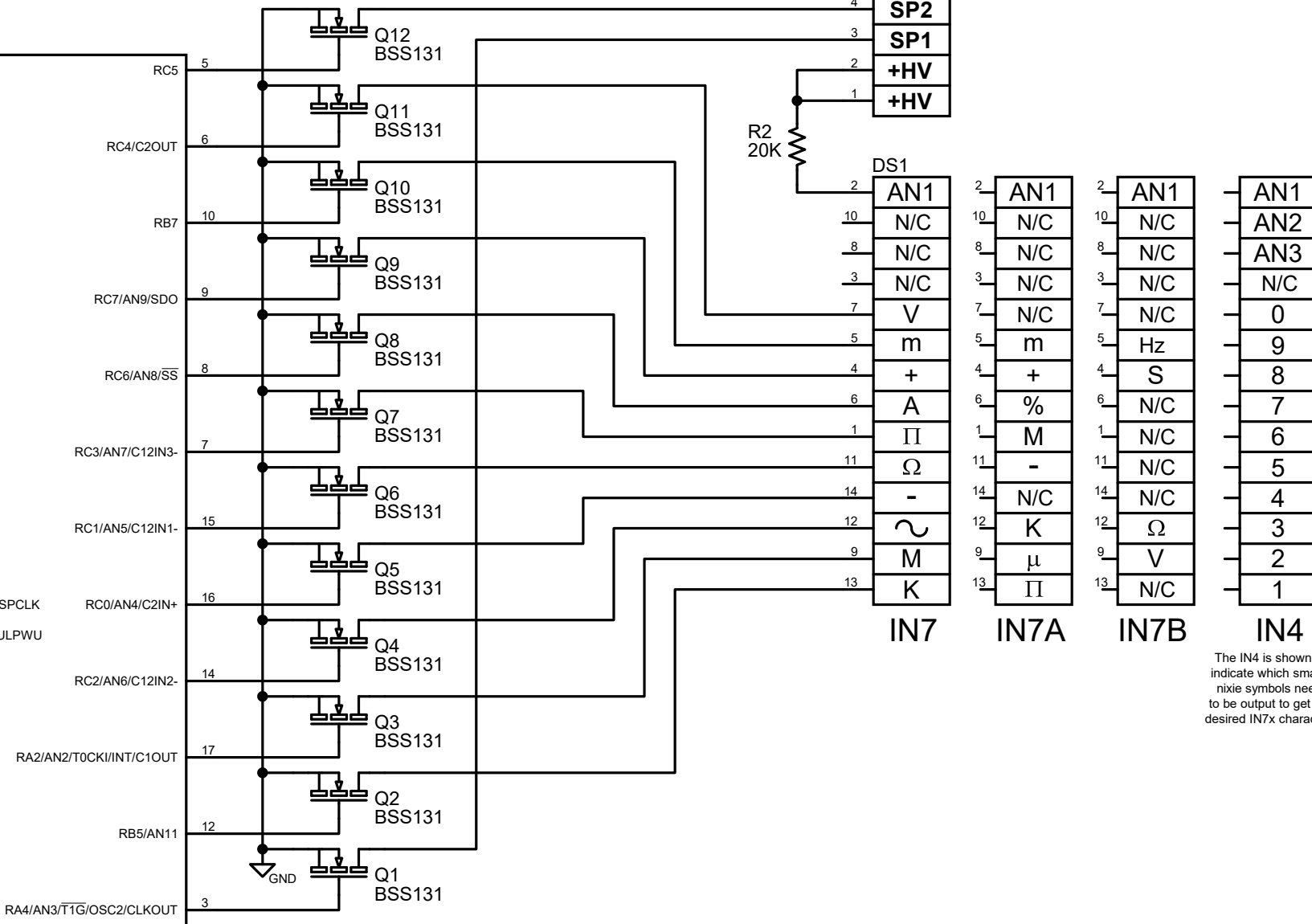
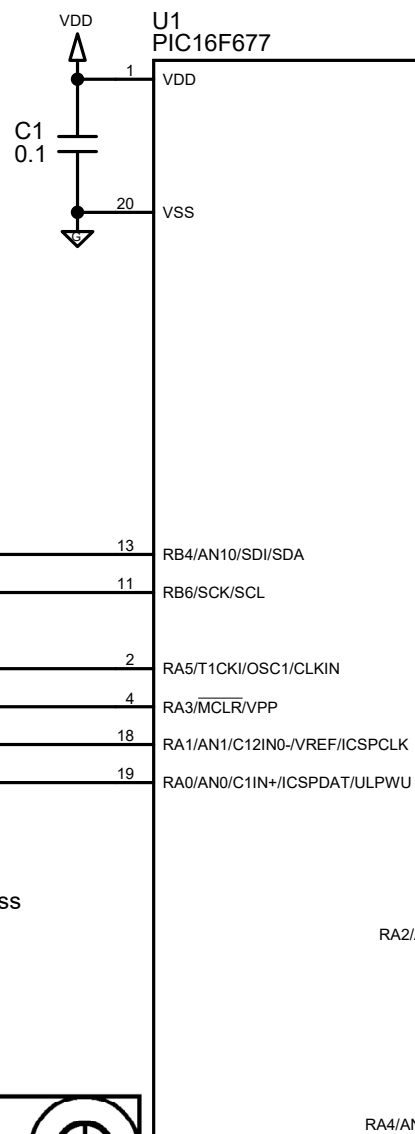
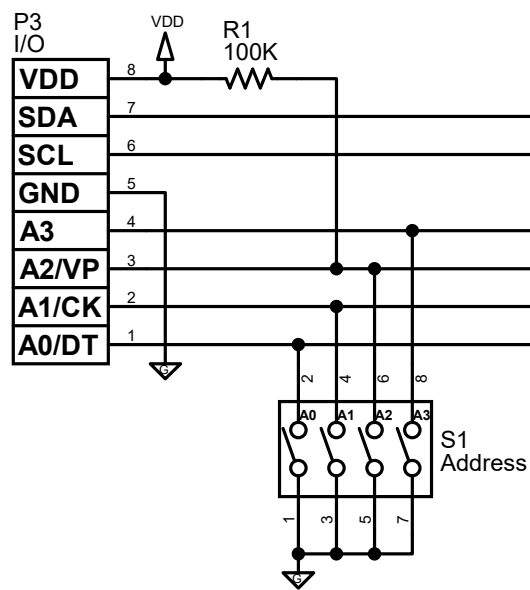
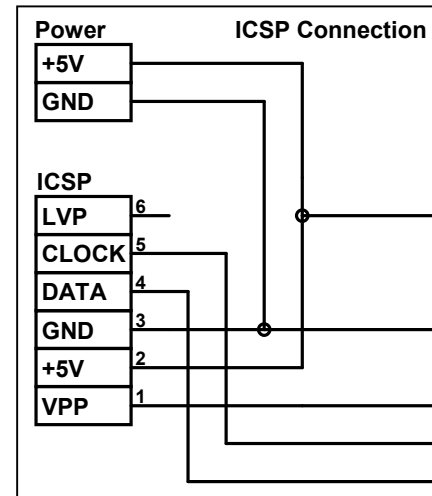
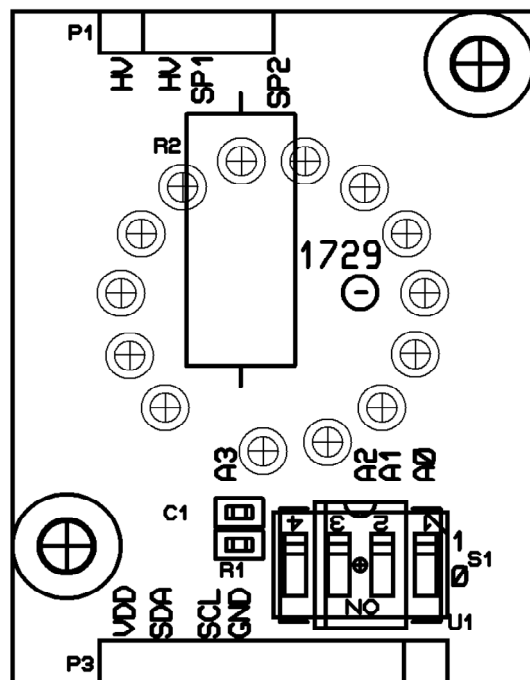
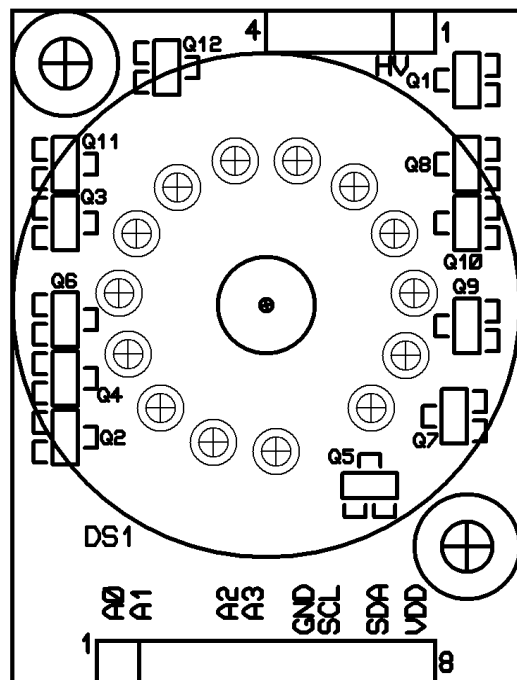


REVISION HISTORY		APPROVED	DATE
REV	DESCRIPTION	J Taylor	2025/03/12
-	Initial release		



The IN4 is shown to indicate which smartnixie symbols need to be output to get the desired IN7x character.



APPROVALS		DATE	TITLE
DRAWN	J TAYLOR	2025/03/12	SmartNixie I2C addressable module for IN7(A)(B) nixie tubes
CHECKED			
ENGINEER			
PROJ ENGINEER			SIZE FSCM NO. DRAWING NO. 1729
APPROVED			REV. -
GA			SCALE NONE ©2025 Taylor Electronics Services SHEET 1 OF 1